



- Passively Q-switch Pulse UV laser
- Repeat rate adjustable
- External controllable

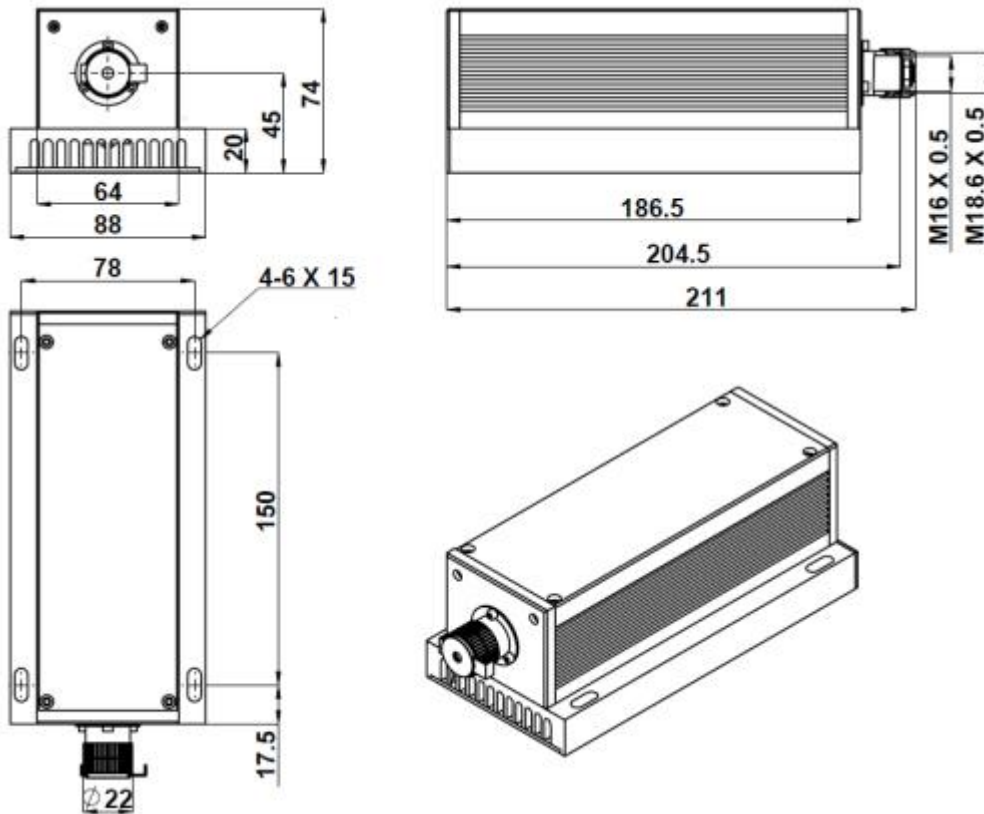
Easy use & maintenance free
Longlife operation
High efficiency
High reliability

Specifications

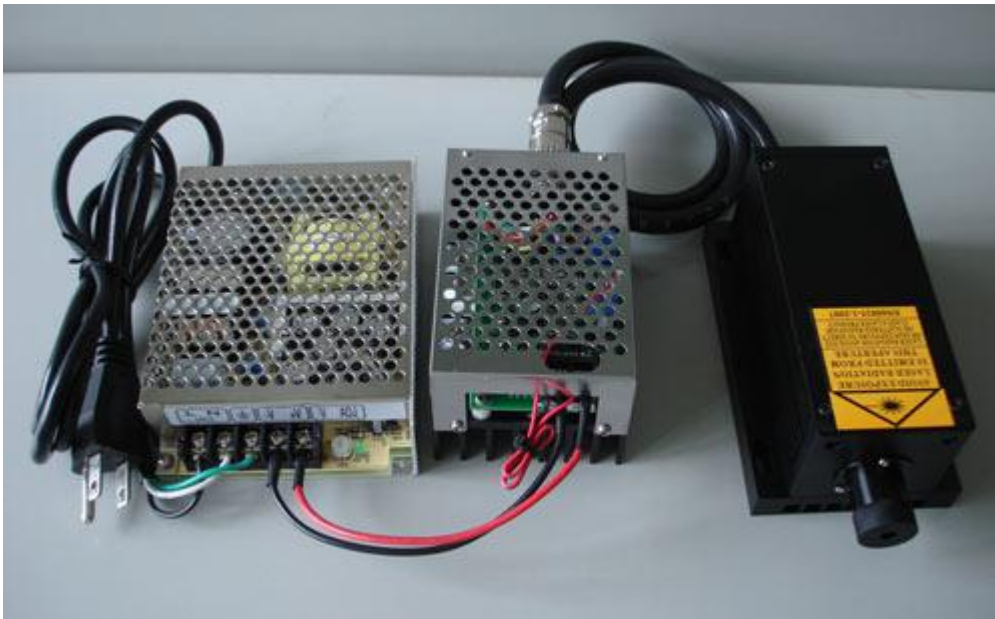
Model No.	LSR355F-Q
Wavelength	355+/-1nm
Spatial Mode	near TEM00
Output Power(average)	>1, 5, 10,..., 100mW
Operation Mode	Pulsed laser
Single pulse energy	1-10uJ
Pulse Width	5-20ns
Peak Power	100W~2KW
Repeat rate	1~10KHz
Polarization	>50:1
Beam Spot Shape	Circular, aspect ratio<1.1:1
Pointing Stability	<0.05 mrad
Beam Diameter(1/e ²)	2mm
Beam Divergence	<1.5 mrad
Beam Height from Base	45mm
Power Stability*	<±5% per 4 hrs
Temperature Stabilizing	TEC
Warm Up Time	<5 minutes
Optimum Operating Temperature	20~30°C
Storage Temperature	10~50°C
MTTF**	10,000 hrs

Dimensions	211(L)x88(W)x74(H) mm
Power Supply	A. OEM type B. Lab type C. Adjustable Lab type LSR-PS-FA: 178(W)x197(D)x84(H) mm3

Laser head drawing



A. OEM type



B. Lab type



C. Adjustable Lab type power supply

